



Mini4K-10K MINI CENTRIFUGE

OPERATION MANUAL

Version 1.0

Sichuan SHUKE Instrument Co., Ltd.

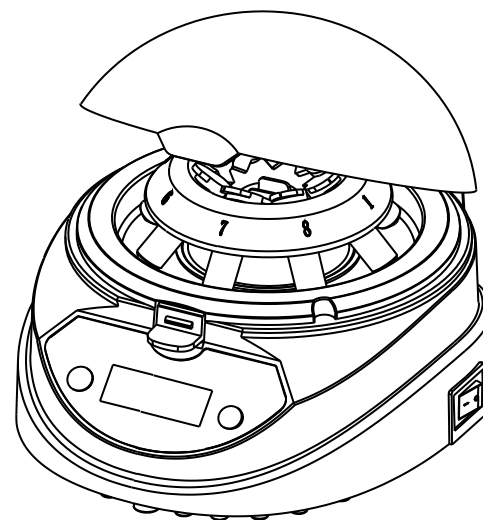
Address: Building 15 Side B High-tech Zone, Jiaolong Industrial Port,
Qinyang District, Chengdu 610000, Sichuan, China

Tel: +86-28-87381811

Fax: +86-28-87381250

Web: www.shukelab.com

E-mail: info@shukelab.com



Sichuan Shuke Instrument Co.,Ltd

Mini4K-10K MINI CENTRIFUGE

1. Introduction:

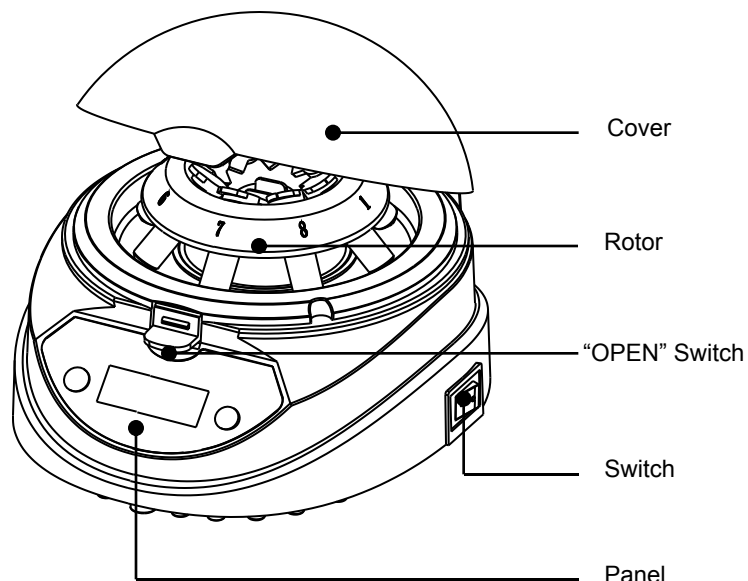
Tow types rotators are provided:

- 1) 8 x 1.5ml rotator (Suit for 1.5ml/2.0ml x 8 tubes. Additional 0.2ml and 0.5ml tube suit. 0.2ml and 0.5ml tube are adapted with the tube suit.)
- 2) 2 x 8 x 0.2 ml rotator (Suit for 0.2ml x 8 PCR tubes, 2 ranks supplied.)

Both the two types rotators can be used in extracting the supernatant from a variety of samples, separation of trace blood cells, rapid subsidence of samples, experimental division centrifugal and etc.

2. Operation Guide

2.1 Structure



Packing List

Item	Description	Type	Qty	Remarks
1	Mini Centrifuge	Mini4K-10K	1	
2	Power Line	220V/110V 1A	1	
3	Performance Test Statement		1	
4	Operation Manual		1	
5	Warranty Card		1	
Charger : (Sign/Stamp)			Packing Date :	

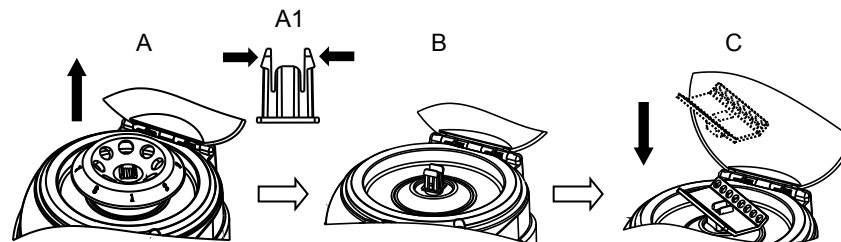
Performance Test Statement

Name	Mini Centrifuge	Type	mini-6k
Test Date	May, 2021	Production No.	21052008
No.	Test Content	Standard	Test Results
1	Speed		<input type="checkbox"/> Qualified
2	Basic Function	Valid	<input type="checkbox"/> Qualified
3	Appearance Demand	Valid	<input type="checkbox"/> Qualified
4	Appearance Sign	Valid	<input type="checkbox"/> Qualified
5	Continuous Work Test	30 minutes no irregular	<input type="checkbox"/> Qualified
Test Result			
Remarks :			
Tester :		Confirmer :	

7. Failure Analysis and Trouble Shooting

Phenomenon	Possible Causes	Processing Procedure
Rotor not work when power on	Power line problem	Check the power line
	No power	Check power situation
	Broken switch	Change the switch
	Cover is not closed well	Close the cover well again
	Fuse blowout	Exchange it or ask technician for help
Noisy and vibrate heavily when running	Working table is not stable	Put instrument to a stable and firm working stable
	Rotor is not properly installed	Install the rotor according to manual guide 3.2
	Tubes are not balanced	Place the tubes in balanced place
	Sample level is too much different	Put same volume sample in each tube
	Tube lid is not covered well, sample poured out when centrifuge working	Put same volume sample in each tube and cover the lid well.
	Rotor aged or partial defected	Change the rotor
	Different types of tubes mixing up	Use the same type of tube centrifuge at the same time
	Rotor cover deformed or cracked	Maintain in daily using. Exchange the cover if damaged.

2.2 Rotor Replacement



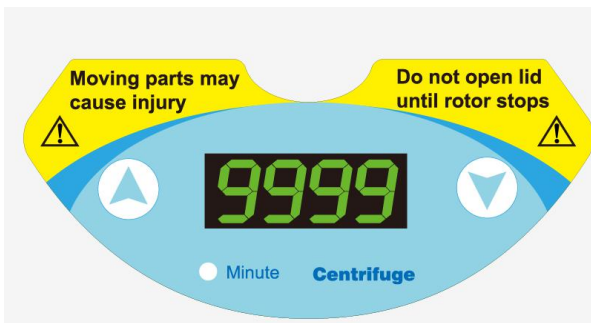
1. Pick up the rotor.

Push the two sides of the clip towards middle (Refer to A1). Use another hand to pick up the rotor.

2. Install the rotor.

Aim the middle hole of the rotor at the clip. Push until the rotor is clipped on well. (Refer to C)

2.3 Keyboard and Display Panel



2.4 Key Function



Adjust setting time. Keep pressing to set timing quickly.

Maximum timing is 9999min. Timing range is from 1sec to 9999min.

2.5 Operation Guide

1. Time Setting

- a. Turn on the switch. The device enter into initial interface. LCD display “88 888” with beep alarm.
- b. After 2 seconds, LCD display the setting time in last operation.
- c. Press π or θ of time key to increase or decrease the timing value. Keep pressing make the value increase or decrease tens or hundreds times.
- d. Keep pressing π and θ of timing key around 6 seconds to change time unit. The indicator light of “Minute” on means the time unit is minute, the indicator light of “Minute” off means the time unit is second.
- e. LCD display 0000 stands for time setting function shut off.

2. Operation

- a. Turn the switch to the side of “I”, set the time and speed according to the above operation guide. Close the cover with a clattered, the device begins operating. When the operation completes, press the open button after the rotor fully stopped. If the operation is needed to stop during the operating, please turn the switch to the side of “O”.

WARNING:

1. Do not open the cover unless the rotor is fully stopped.
2. The sample in the tube and the tubes should be put in balance. Each tube with sample should never be over 3.0g.
3. If loud noise or heavy vibrating, stop operating at once.
4. Forbidden to use different capacity tubes in one operation when use the rotor for 6X1.5ml tubes.

3. Notice

1. Forbidden to operate without any rotor.
2. Forbidden to put sample into the tube which is fixed in the rotor.
3. Forbidden to move the device in operation.
4. The device must be put onto a level and stable platform.

4. Maintenance

Use mull with non-corrosive cleansing fluid (PH=7±1) to clean surface of the instrument. Operate the instrument after it dry out. Do not dip the instrument into fluid or water it.

5. Specification

Dimension: 175X155X118 (mm)	Power: ≤45W
Power Input: AC110/220V, 50/60Hz	Fuse: 0.5A /1.0A
G Force (RCF): 1200 g	Speed: 4000rpm
G Force (RCF): 3000 g	Speed: 6000rpm
G Force (RCF): 3400 g	Speed: 7000rpm
G Force (RCF): 7500 g	Speed: 10000rpm